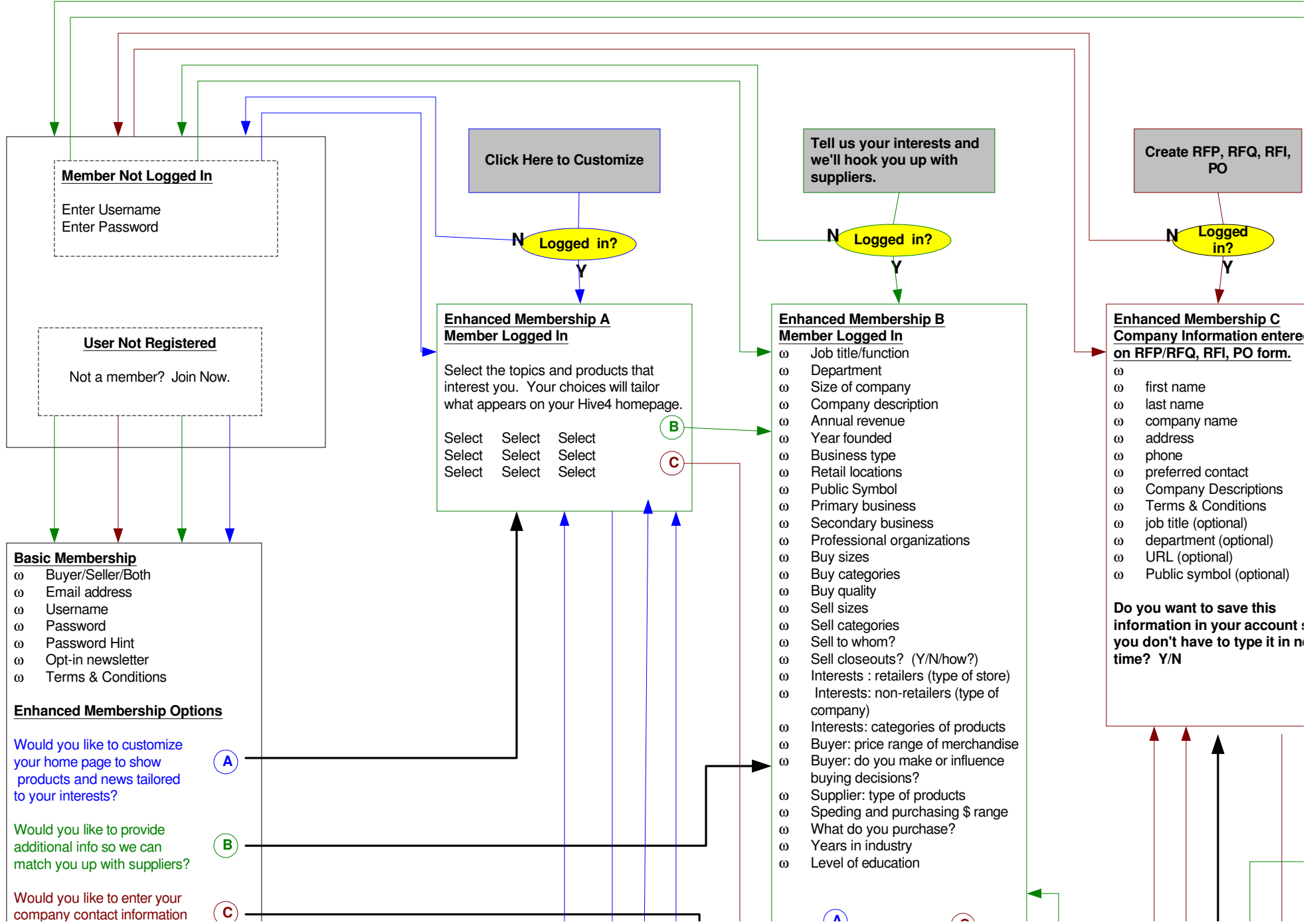




# Registration

2/2/2001





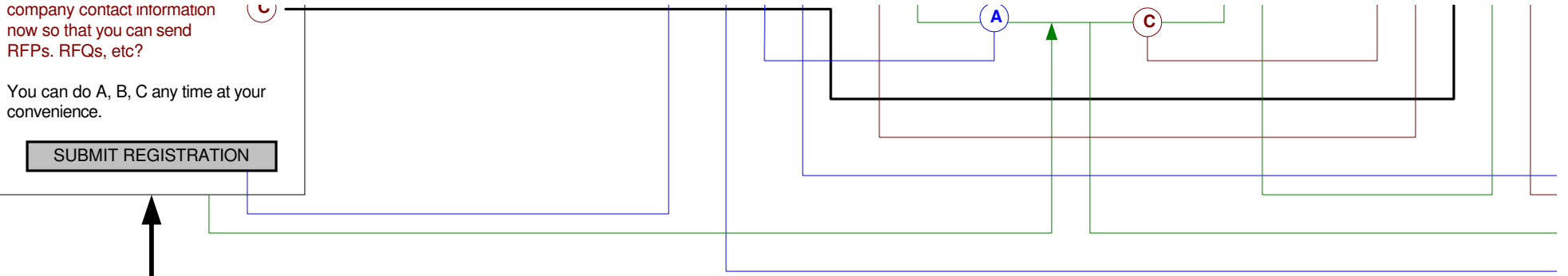
company contact information  
now so that you can send  
RFPs, RFQs, etc?



You can do A, B, C any time at your  
convenience.

SUBMIT REGISTRATION

Join



A

C

**Editable Member Profile**

Company Information

Customization

Basic Membership Info

